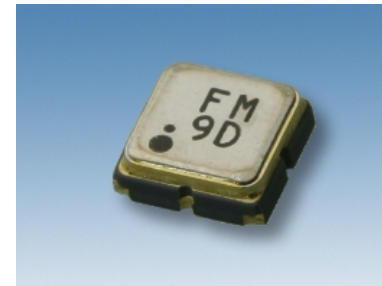


WFL99A1565CD For Automotive

Features

- 1.5GHz band SAW Filter for Automotive GNSS.
- Compact. (Typ. 3.0x3.0mm)
- Support a wide operating temperature range(-45°C to +105°C).
- Excellent shock resistance.
- A filter with low insertion attenuation.
- Meets the requirements for re-flow profiling using lead-free solder.
- Conforms to AEC-Q200.



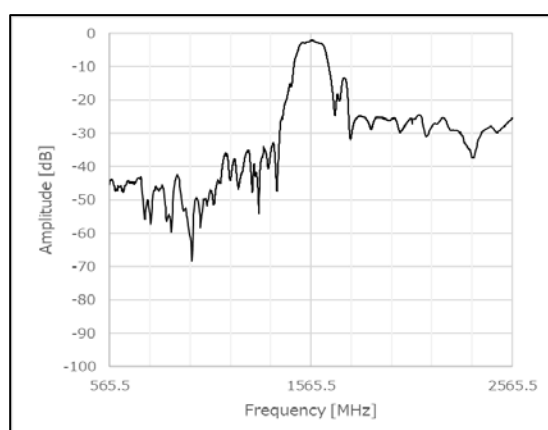
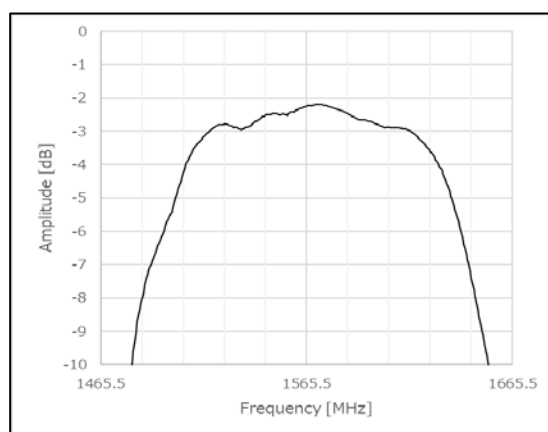
Pb free

RoHS Compliant
Directive 2011/65/EU
Directive (EU) 2015/863

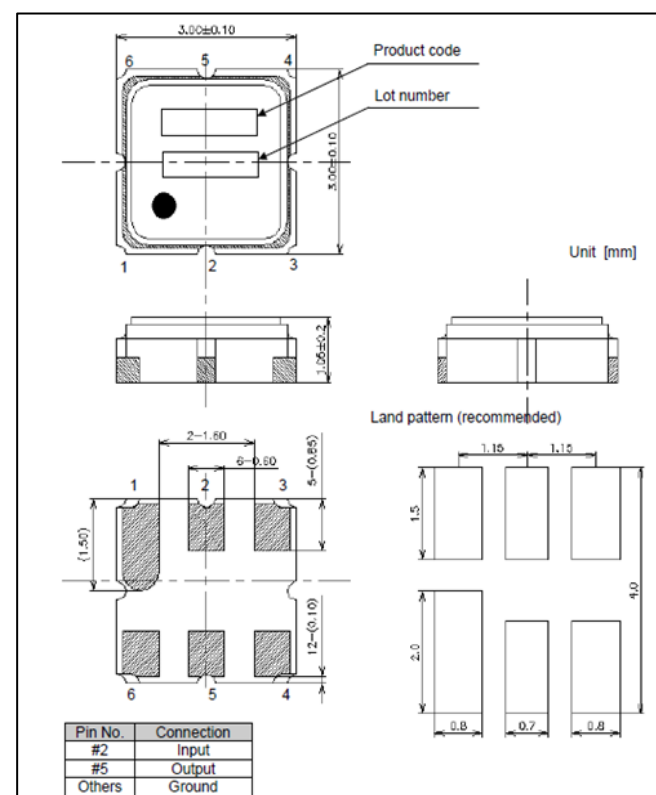
Specifications

Nominal Frequency (MHz)	1565.5	
Pass band (MHz)	1525 ~ 1606	
Insertion loss (dB)	1525 ~ 1606 MHz	3.5 Max.
Ripple (dB)	1525 ~ 1606 MHz	2.0 Max.
Attenuation / absolute value (dB)	1 100 ~ 1300 MHz	30 Min.
	2 1300 ~ 1440 MHz	10 Min.
	3 1710 ~ 1785 MHz	10 Min.
	4 1785 ~ 3000 MHz	20 Min.
Operating Temp. Range	-40 to +105°C	

Characteristics



Dimensions



Matching Circuit

