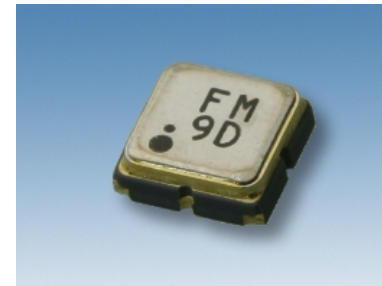


## WFL98A1224CC For Automotive

### ■ Features

- 1.2GHz band SAW Filter for Automotive GNSS.
- Compact. (Typ. 3.0×3.0mm)
- Support a wide operating temperature range(-45°C to +105°C).
- Excellent shock resistance.
- A filter with low insertion attenuation.
- Meets the requirements for re-flow profiling using lead-free solder.
- Conforms to AEC-Q200.



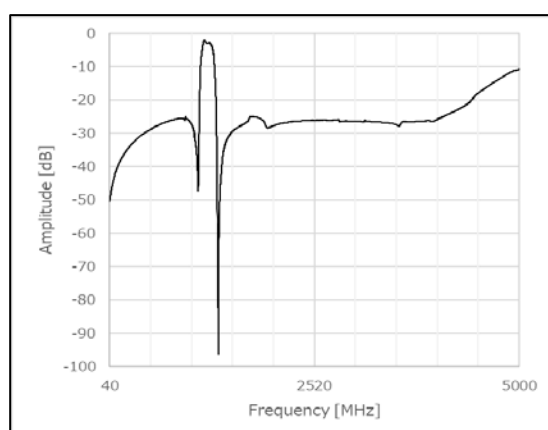
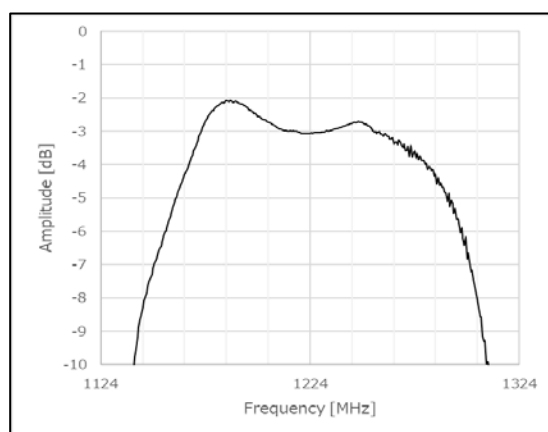
Pb free

RoHS Compliant  
Directive 2011/65/EU  
Directive (EU) 2015/863

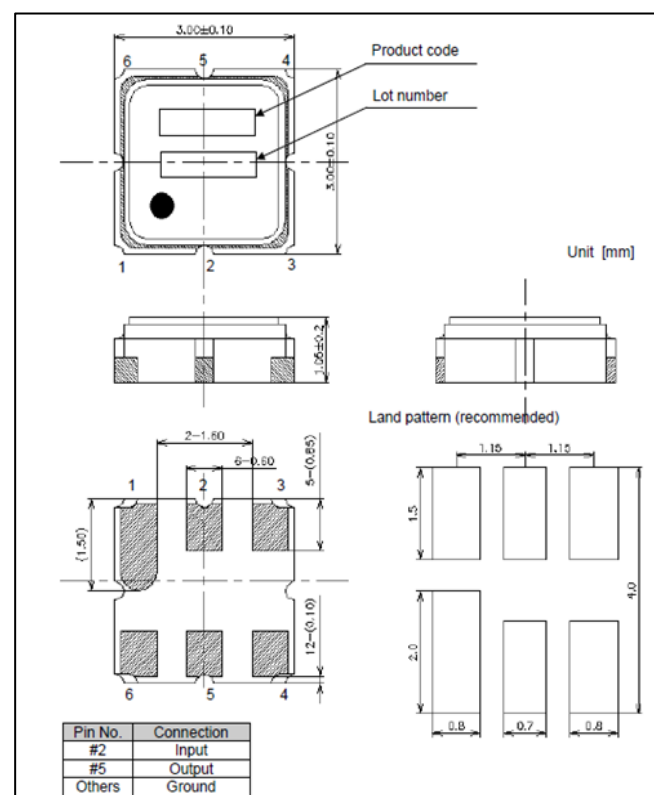
### ■ Specifications

Nominal Frequency (MHz)	1224	
Pass band (MHz)	1170 ~ 1278	
Insertion loss (dB)	1170 ~ 1278 MHz	5.5 Max.
Ripple (dB)	1170 ~ 1278 MHz	3.5 Max.
Attenuation / absolute value (dB)	1 50 ~ 1025 MHz	18 Min.
	2 1320 ~ 2000 MHz	9 Min.
Operating Temp. Range	-40 to +105°C	

### ■ Characteristics



### ■ Dimensions



### ■ Matching Circuit

