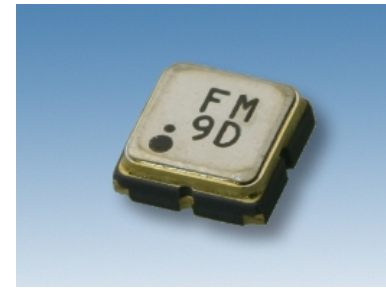


## WFL96B1615CG For Automotive

### Features

- 1.615GHz band SAW Filter for Automotive GNSS
- Compact. (Typ. 3.0×3.0mm)
- Support a wide operating temperature range(-45°C to +105°C).
- Excellent shock resistance.
- A filter with low insertion attenuation.
- Meets the requirements for re-flow profiling using lead-free solder.
- Conforms to AEC-Q200.



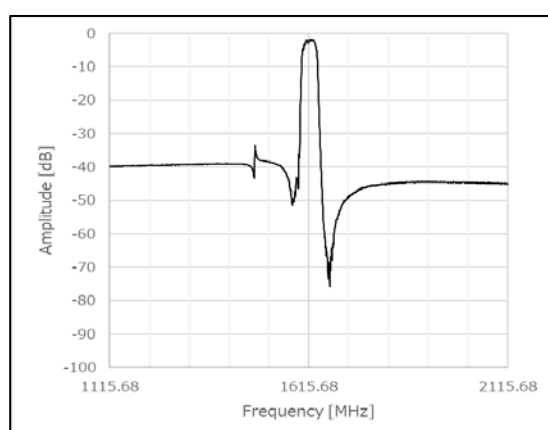
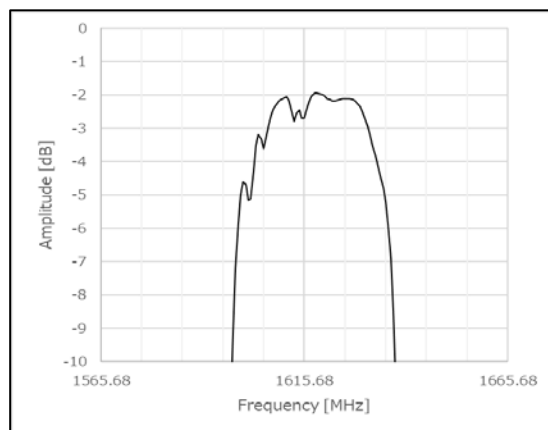
Pb free

RoHS Compliant  
Directive 2011/65/EU  
Directive (EU) 2015/863

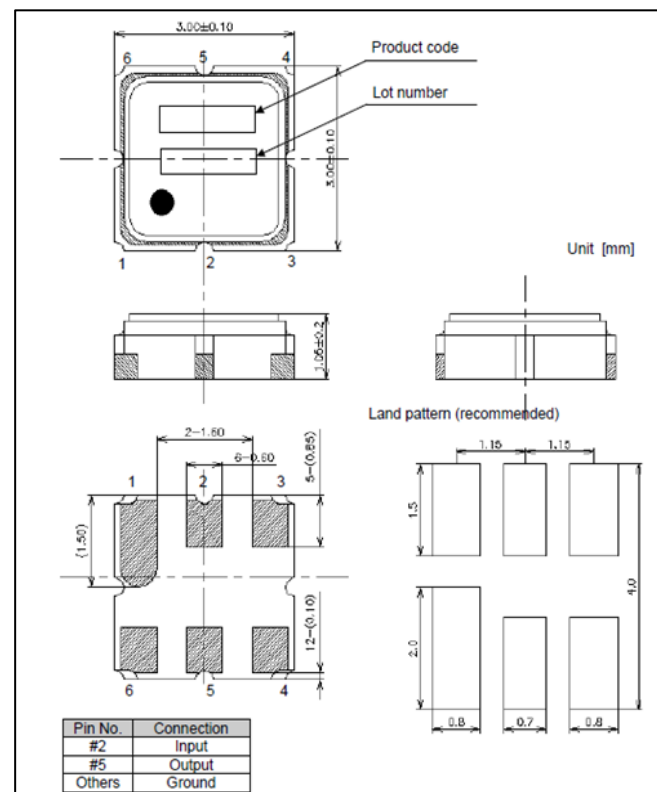
### Specifications

Nominal Frequency (MHz)	1615.68	
Pass band (MHz)	1611.6 ~ 1619.76	
Insertion loss (dB)	2489.5 ~ 2494.5 MHz	4.0 Max.
Ripple (dB)	2489.5 ~ 2494.5 MHz	2.0 Max.
Attenuation / absolute value (dB)	1 1515.68 ~ 1570 MHz	38 Min.
	2 1580 MHz	30 Min.
	3 1650 MHz	30 Min.
	4 1660 ~ 1715.68 MHz	47 Min.
Operating Temp. Range	-40 to +105°C	

### Characteristics



### Dimensions



### Matching Circuit

