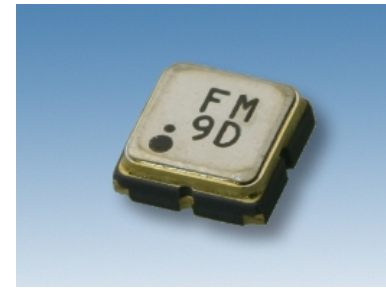


## WFL96A2492CH For Automotive

### Features

- 2.492GHz band SAW Filter for Automotive GNSS
- Compact. (Typ. 3.0×3.0mm)
- Excellent shock resistance.
- A filter with low insertion attenuation.
- Meets the requirements for re-flow profiling using lead-free solder.
- Conforms to AEC-Q200.



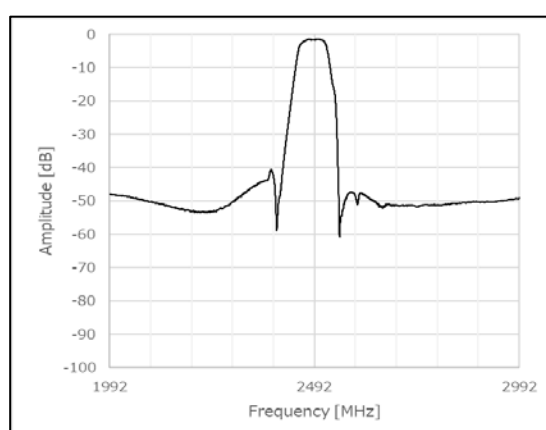
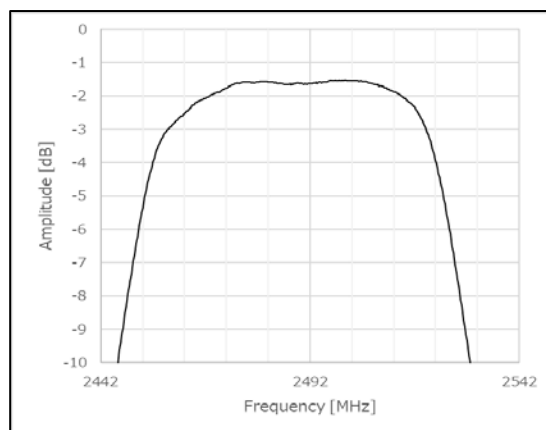
Pb free

RoHS Compliant  
Directive 2011/65/EU  
Directive (EU) 2015/863

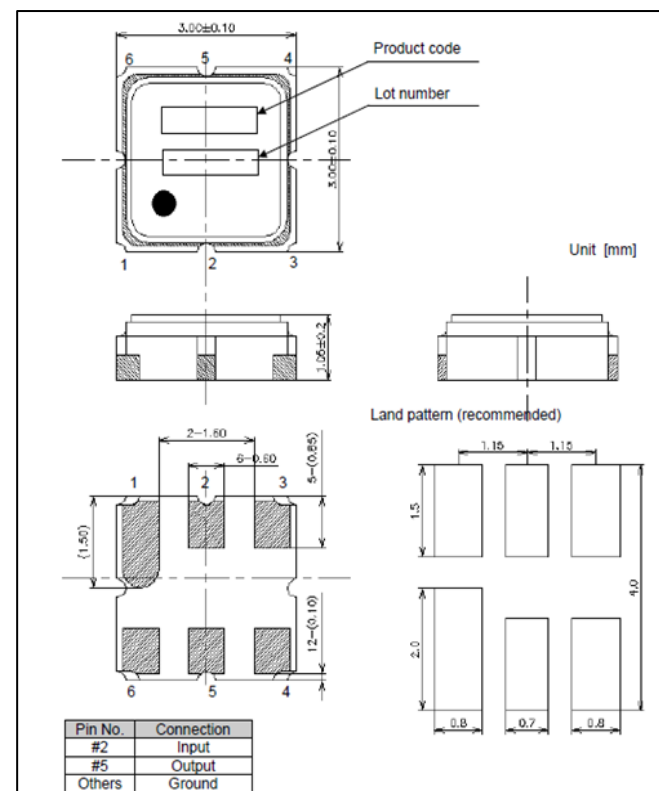
### Specifications

Nominal Frequency (MHz)		2492
Pass band (MHz)		2489.5 ~ 2494.5
Insertion loss (dB)	2489.5 ~ 2494.5 MHz	2.5 Max.
Ripple (dB)	2489.5 ~ 2494.5 MHz	1.0 Max.
Attenuation / absolute value (dB)	1 DC ~ 2390 MHz	33 Min.
	2 2575 ~ 3000 MHz	43 Min.
Operating Temp. Range		-40 to +85°C

### Characteristics



### Dimensions



### Matching Circuit

