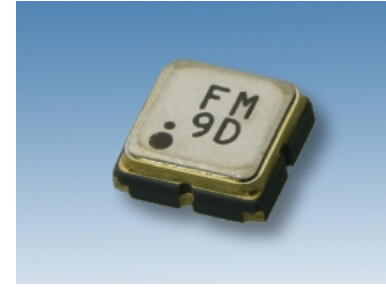


## WFJ15C1227CE For Automotive

### ■ Features

- 1.227GHz band SAW Filter for Automotive GNSS L2
- Compact. (Typ. 3.0×3.0mm)
- Support a wide operating temperature range(-45°C to +105°C).
- Excellent shock resistance.
- A filter with low insertion attenuation.
- Meets the requirements for re-flow profiling using lead-free solder.
- Conforms to AEC-Q200.



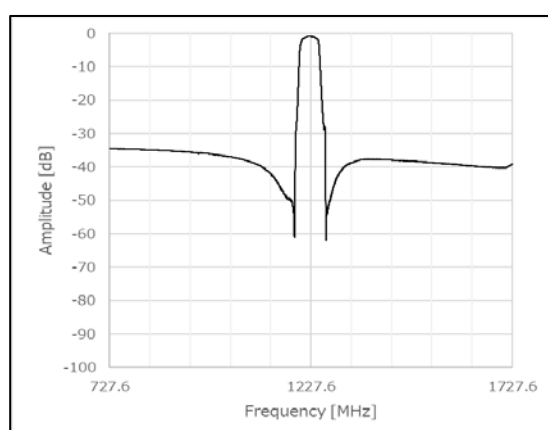
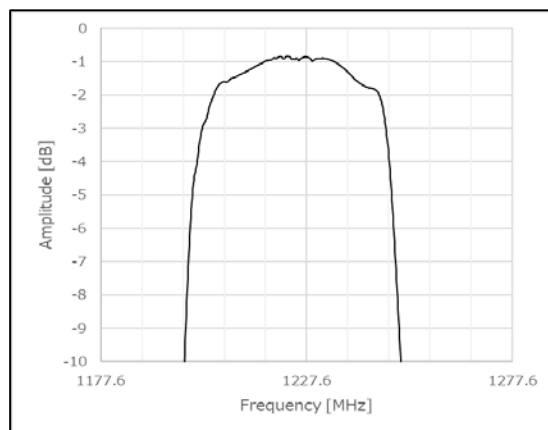
Pb free

RoHS Compliant  
Directive 2011/65/EU  
Directive (EU) 2015/863

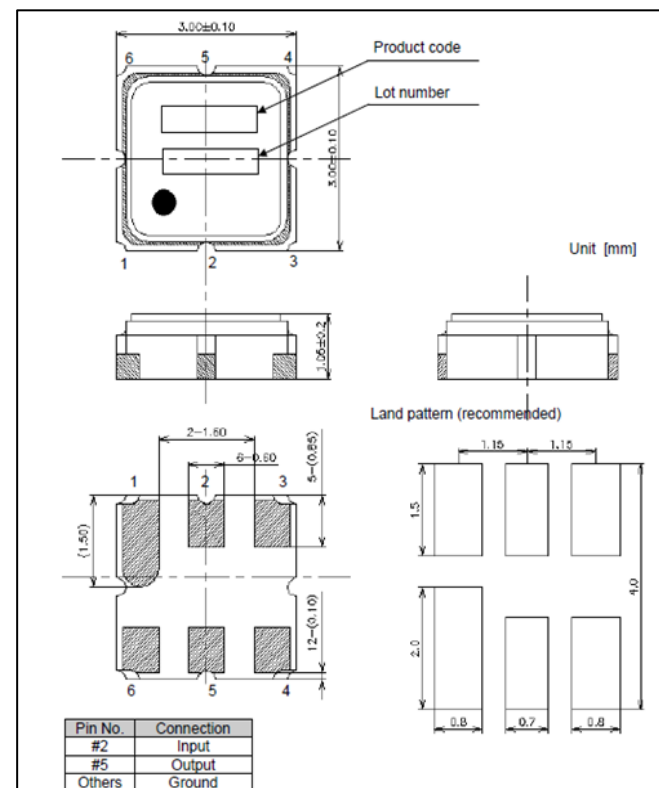
### ■ Specifications

Nominal Frequency (MHz)	1227.6	
Pass band (MHz)	1217.6 ~ 1237.6	
Insertion loss (dB)	1217.6 ~ 1237.6 MHz	2.2 Max
Ripple (dB)	1217.6 ~ 1237.6 MHz	1.5 Max
Attenuation / absolute value (dB)	1 100 ~ 1172 MHz	30 Min
	2 1293 ~ 1800 MHz	30 Min
	3 1800 ~ 2000 MHz	25 Min
Operating Temp. Range	-40 to +105°C	

### ■ Characteristics



### ■ Dimensions



### ■ Matching Circuit

