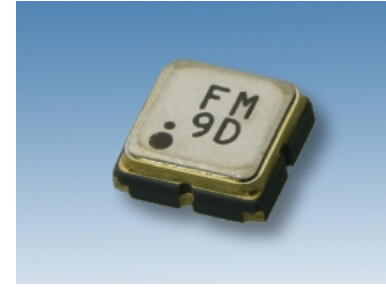


WFJ15B1176CE For Automotive

■ Features

- 1.176GHz band SAW Filter for Automotive GNSS L5
- Compact. (Typ. 3.0×3.0mm)
- Support a wide operating temperature range(-45°C to +105°C).
- Excellent shock resistance.
- A filter with low insertion attenuation.
- Meets the requirements for re-flow profiling using lead-free solder.
- Conforms to AEC-Q200.



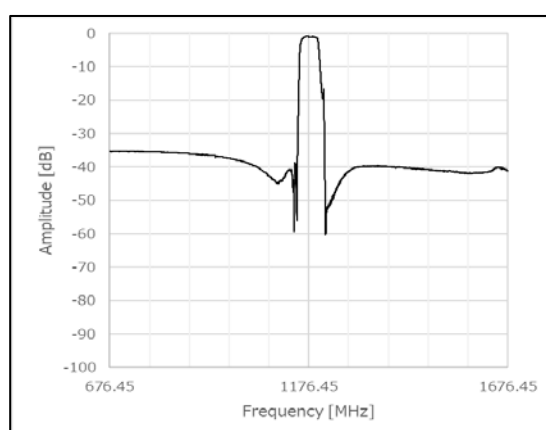
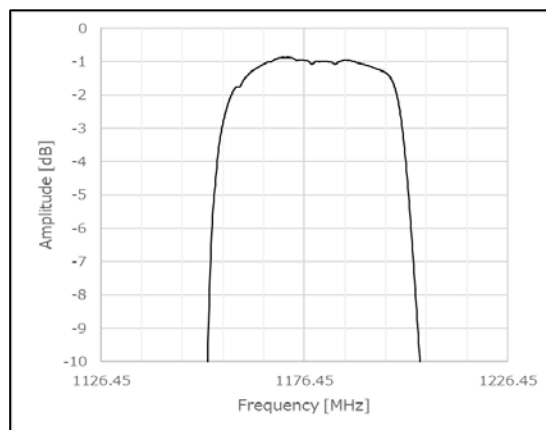
Pb free

RoHS Compliant
Directive 2011/65/EU
Directive (EU) 2015/863

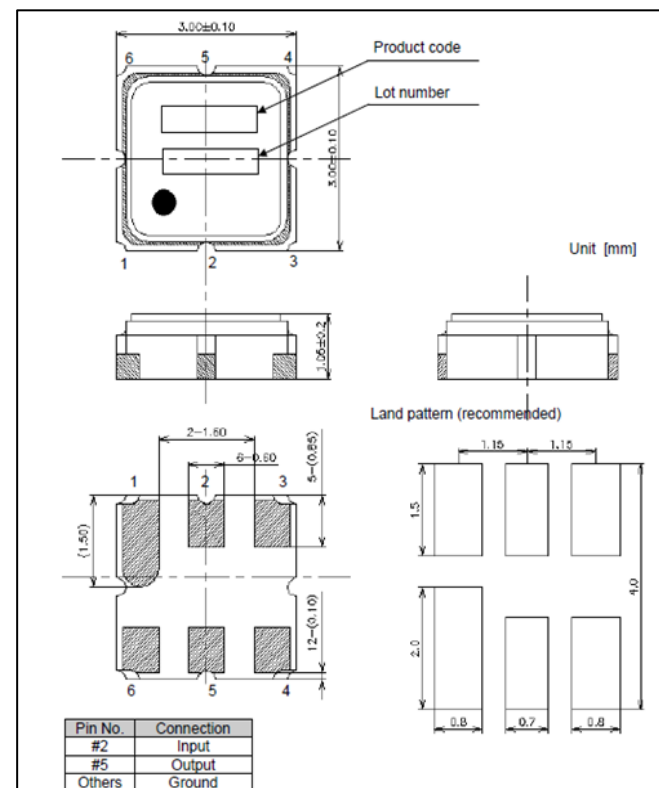
■ Specifications

Nominal Frequency (MHz)	1176.45	
Pass band (MHz)	1166.45 ~ 1186.45	
Insertion loss (dB)	1166.45 ~ 1186.45MHz	2.0 Max
Ripple (dB)	1166.45 ~ 1186.45MHz	1.5 Max
Attenuation / absolute value (dB)	1 100 ~ 1120 MHz	30 Min
	2 1250 ~ 2000 MHz	30 Min
Operating Temp. Range	-40 to +105°C	

■ Characteristics



■ Dimensions



■ Matching Circuit

