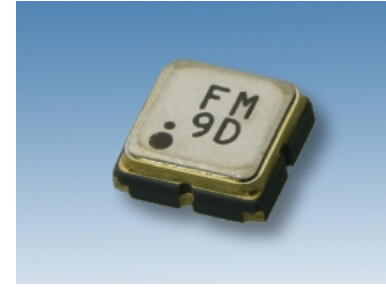


## WFJ04D2441CD For Automotive

### ■ Features

- 2.4GHz band SAW Filter for Automotive BLE
- Compact. (Typ. 3.0x3.0mm)
- Support a wide operating temperature range(-45°C to +105°C).
- Excellent shock resistance.
- A filter with low insertion attenuation.
- Meets the requirements for re-flow profiling using lead-free solder.
- Conforms to AEC-Q200.



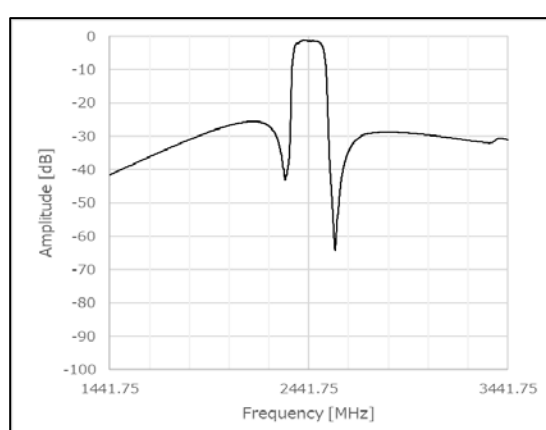
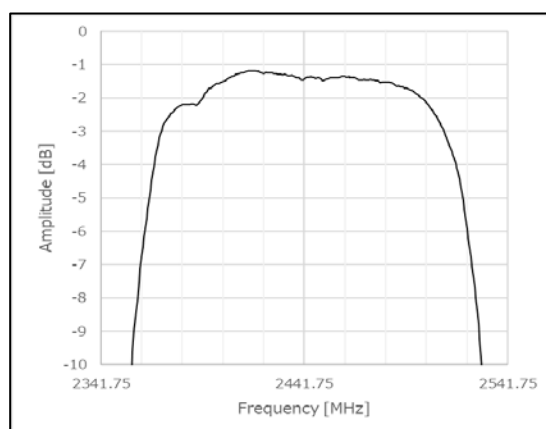
Pb free

RoHS Compliant  
Directive 2011/65/EU  
Directive (EU) 2015/863

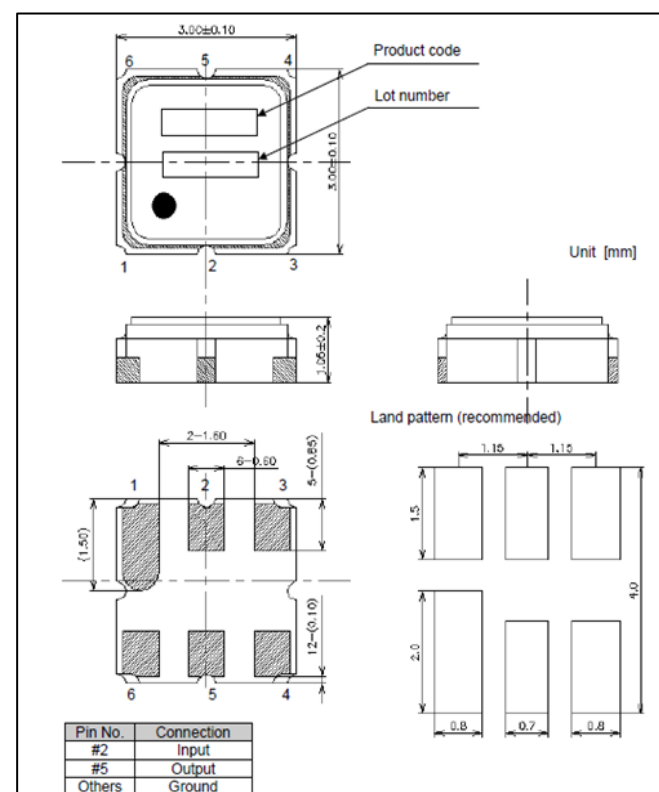
### ■ Specifications

Nominal Frequency (MHz)	2441.75	
Pass band (MHz)	2400 ~ 2483.5	
Insertion loss (dB)	2400 ~ 2483.5 MHz	3.4 Max.
Ripple (dB)	2400 ~ 2483.5 MHz	2.2 Max.
VSWR input (-)	2400 ~ 2483.5 MHz	2.2 Max.
VSWR output (-)	2400 ~ 2483.5 MHz	2.2 Max.
Group delay (nsec)	2400 ~ 2483.5 MHz	20 Max.
Attenuation / absolute value (dB)	1 50 ~ 1000 MHz	35 Min.
	2 1000 ~ 2100 MHz	21 Min.
	3 2100 ~ 2320 MHz	12 Min.
	4 2600 ~ 3100 MHz	21 Min.
	5 3100 ~ 4000 MHz	23 Min.
	6 4000 ~ 5000 MHz	20 Min.
Operating Temp. Range	-40 to +105°C	
Matching Circuit	L1:2.7nH, L2:2.7nH	

### ■ Characteristics



### ■ Dimensions



### ■ Matching Circuit

