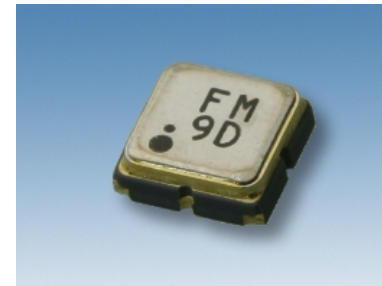


WFC75C1472CE For Automotive

■ Features

- 1.472GHz band SAW Filter for Automotive DAB
- Compact. (Typ. 3.0×3.0mm)
- Support a wide operating temperature range(-45°C to +105°C).
- Excellent shock resistance.
- A filter with low insertion attenuation.
- Meets the requirements for re-flow profiling using lead-free solder.
- Conforms to AEC-Q200.



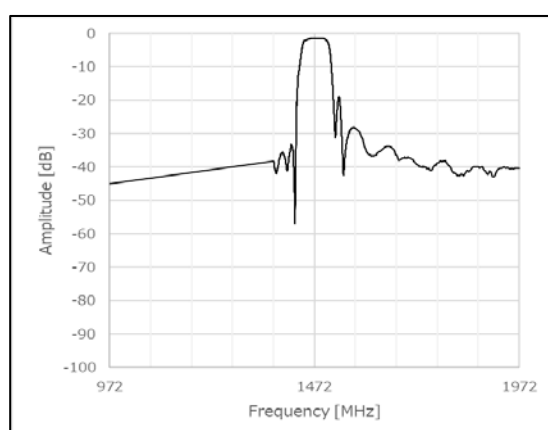
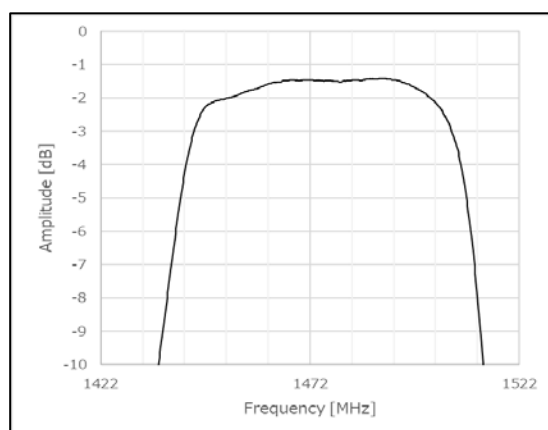
Pb free

RoHS Compliant
Directive 2011/65/EU
Directive (EU) 2015/863

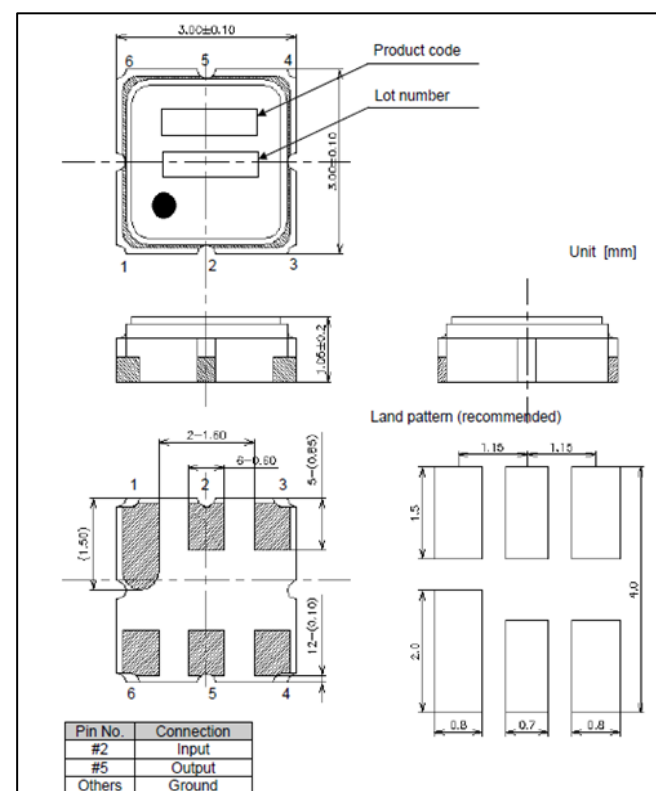
■ Specifications

Nominal Frequency (MHz)	1472	
Pass band (MHz)	1452 ~ 1492	
Insertion loss (dB)	1452 ~ 1492 MHz	3.2 Max
Ripple (dB)	1452 ~ 1492 MHz	1.6 Max
VSWR	1452 ~ 1492 MHz	2.5 Max
Attenuation / relative to IL	1 500 ~ 1262 MHz	34 Min
	2 1262 ~ 1382 MHz	25 Min
	3 1382 ~ 1398 MHz	25 Min
	4 1398 ~ 1414 MHz	20 Min
	5 1547 ~ 1580 MHz	21 Min
	6 1580 ~ 2200 MHz	25 Min
Operating Temp. Range	-40 to +105°C	

■ Characteristics



■ Dimensions



■ Matching Circuit

