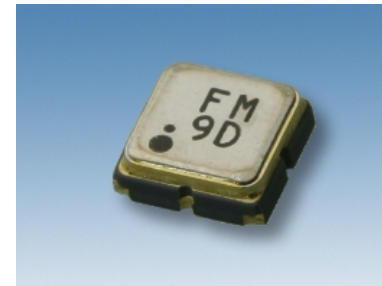


WFC38P1588CD For Automotive

Features

- 1.5GHz band SAW Filter for Automotive GNSS (e.g., GPS, GLONASS, or BEIDOU).
- Compact. (Typ. 3.0x3.0mm)
- Support a wide operating temperature range(-45°C to +105°C).
- Excellent shock resistance.
- A filter with low insertion attenuation.
- Meets the requirements for re-flow profiling using lead-free solder.
- Conforms to AEC-Q200.



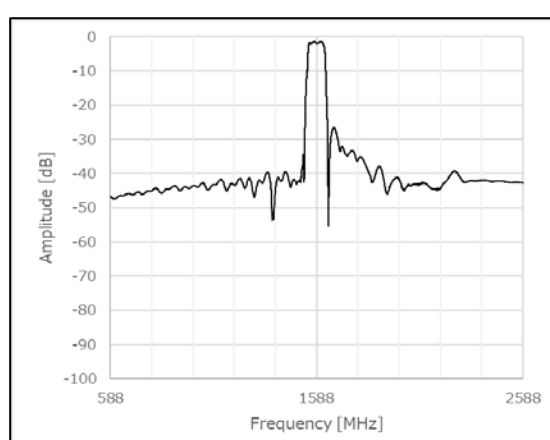
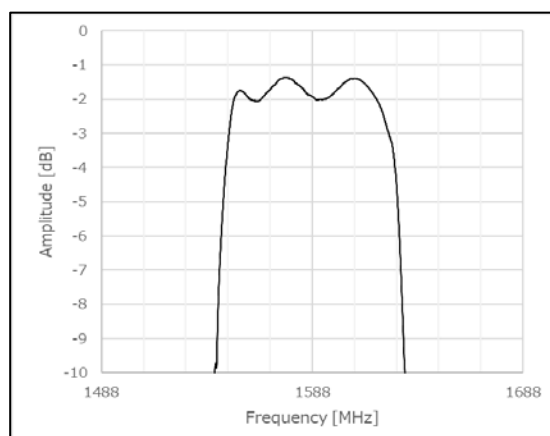
Pb free

RoHS Compliant
Directive 2011/65/EU
Directive (EU) 2015/863

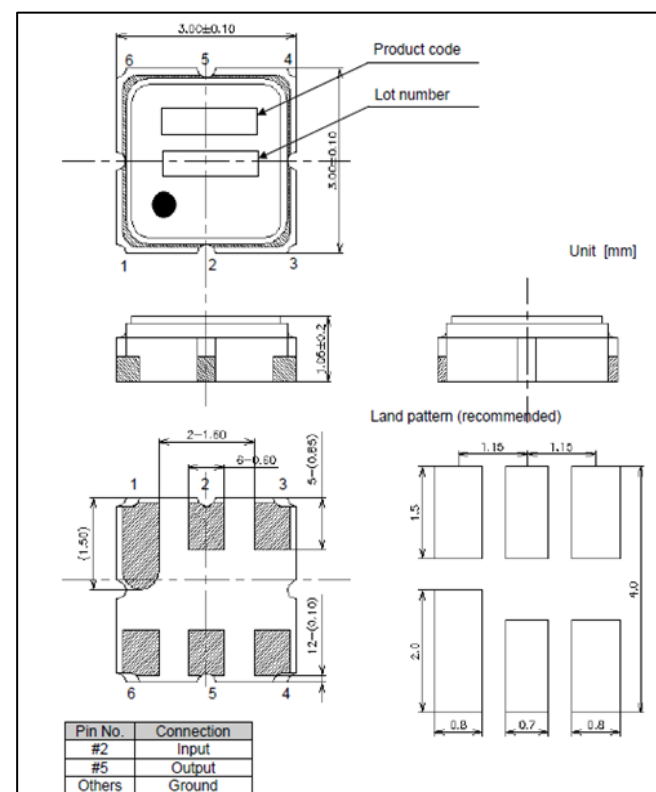
Specifications

| | | |
|-----------------------------------|-------------------|---------|
| Nominal Frequency (MHz) | 1588 | |
| Pass band (MHz) | 1560 ~ 1616 | |
| Insertion loss (dB) | 1560 ~ 1616 MHz | 3.0 Max |
| VSWR | 1560 ~ 1616 MHz | 2.8 Max |
| Group delay variation (nsec) | 1597 ~ 1606 MHz | 15 Max |
| Attenuation / absolute value (dB) | 1 800 ~ 900 MHz | 40 Min |
| | 2 1140 ~ 1349 MHz | 25 Min |
| | 3 1645 ~ 1720 MHz | 13 Min |
| | 4 1738 ~ 1840 MHz | 30 Min |
| | 5 1860 ~ 2500 MHz | 33 Min |
| Operating Temp. Range | -40 to +105°C | |

Characteristics



Dimensions



Matching Circuit

